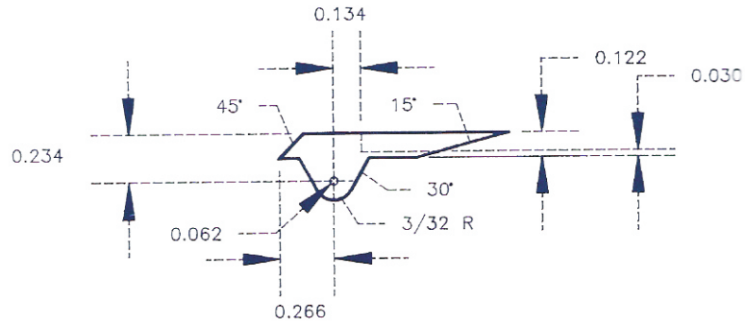
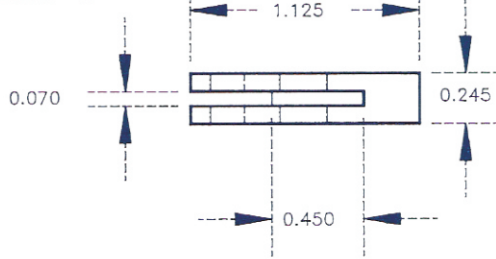
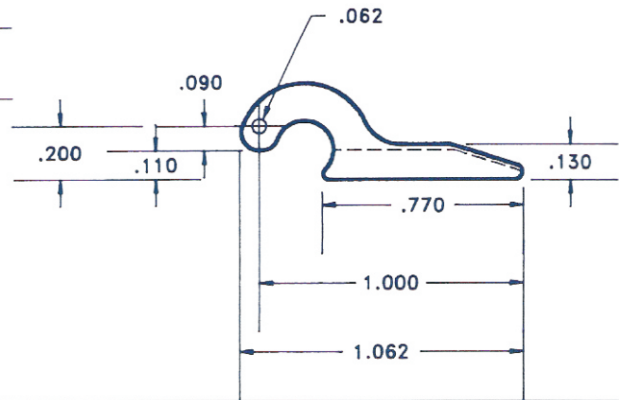
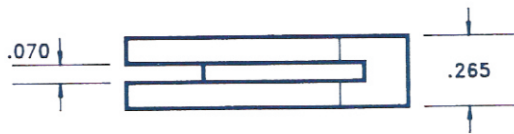


EHP-1 H.P. COMPATIBLE



EHP-2

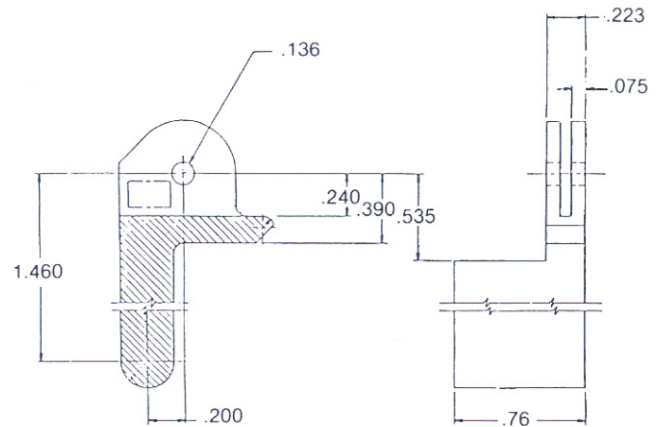
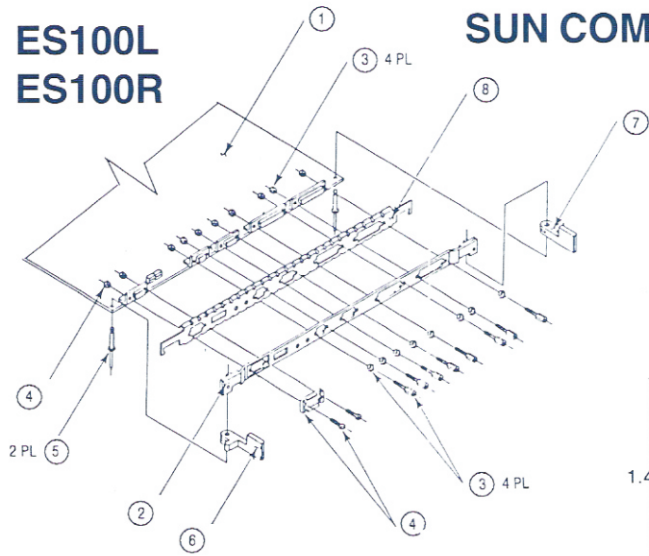


MATERIAL: Nylon 6/6 meets 94V—2
Drive pin steel zinc .062x250
furnished with each ejector.

**ES100L
ES100R**

SUN COMPATIBLE

(For Sun Micro Systems
Compatible PCBs)



Material: Glass-filled (30%). Nylon 6/6
meets UL 94V - 0. Each part supplied with
ABA 46 Pop Rivet. Check for color avail-
ability. Only available in pairs.