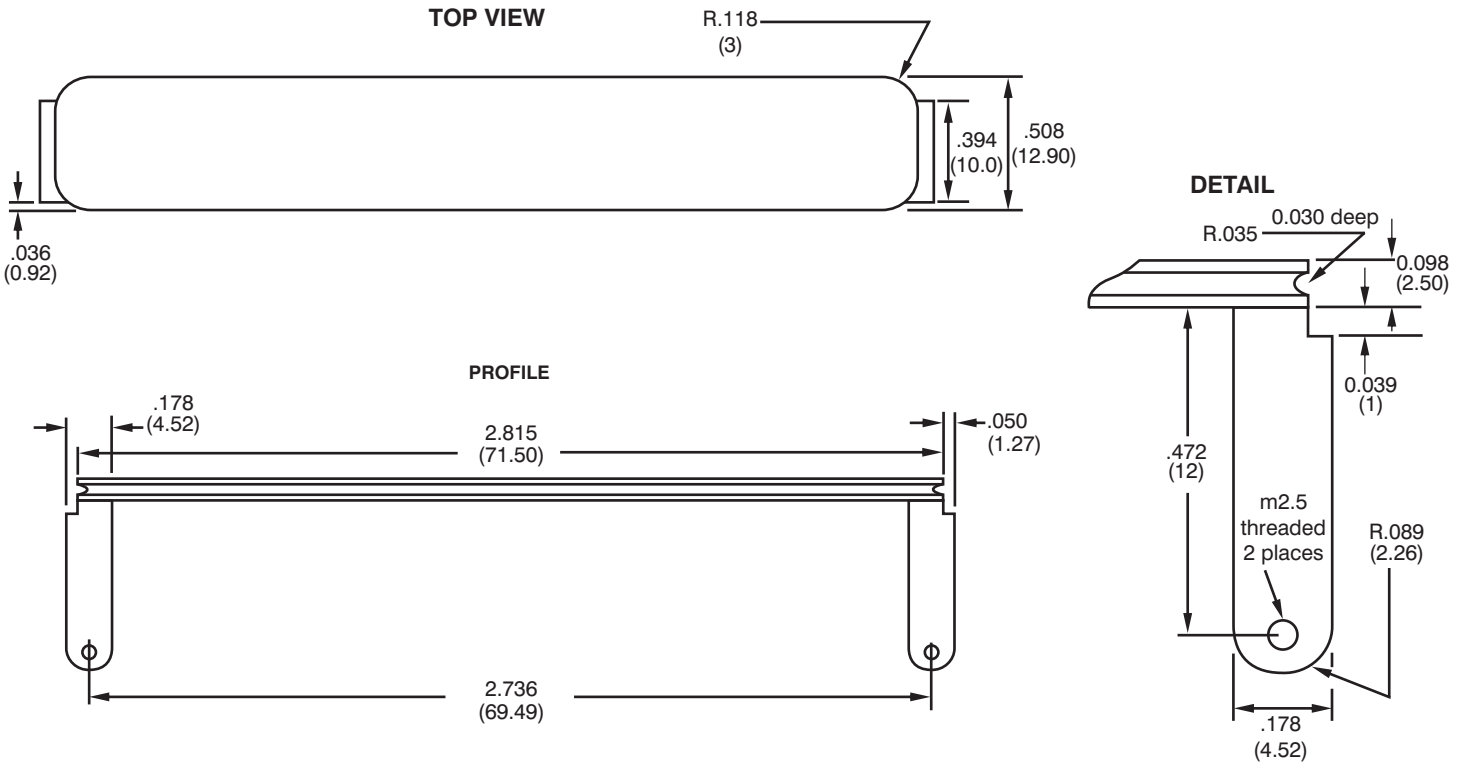
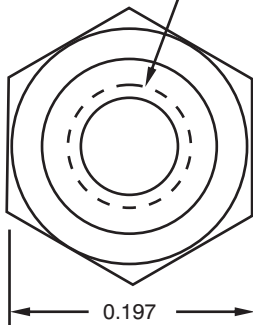


PMC 3000



M2.5x.45 - 6H Thru

STAND OFF

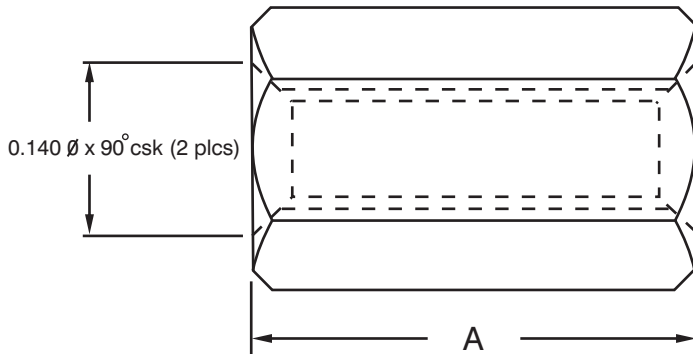


PART NUMBERS:

- PMC 3000-001: Bezel with gasket, no plating
- PMC 3000-003: Bezel with gasket, black Anodized
- PMC 3000-006: Bezel without gasket, black Anodized
- PMC 3000-007: Bezel with gasket, clear Chem-Film
- PMC 3000-008: Bezel without gasket, clear Chem-Film
- PMC 3000-012: Bezel with gasket, clear Anodized

MATERIAL: Brushed Aluminum 6063/.T5
Trivalent Chem-Film plated, clear Anodized, black Anodized or unplated.
RoHS compliant.

GASKET: Available with standard or copper gasket.



P/N	A
PMC 3000-011-5	0.197 (5)
PMC 3000-011-9	0.354 (9)
PMC 3000-011-10	0.394 (10)
PMC 3000-011-11	0.433 (11)
PMC 3000-011-15	0.591 (15)